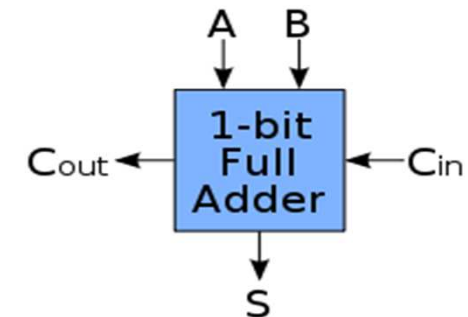


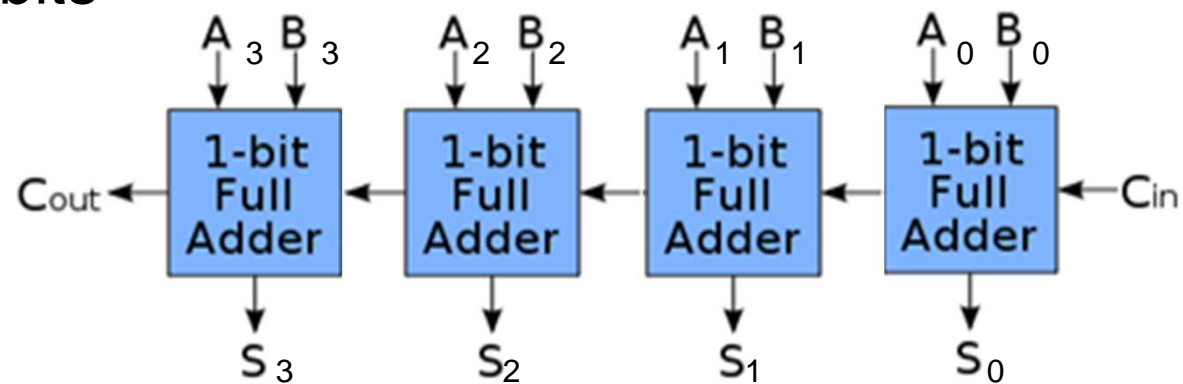


Sumador elemental binario

Esquema simbólico para un sumador de 1 bit



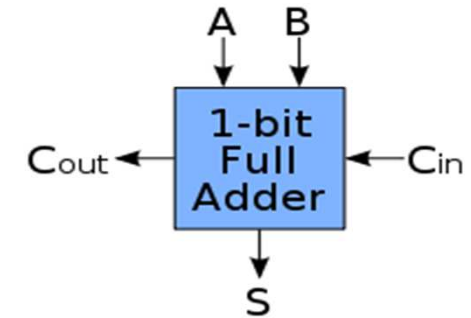
Esquema simbólico para un sumador de 4 bits





Sumador elemental binario

| | | Inputs | | | Outputs | |
|-----------|---|--------|---|-----------------|------------------|---|
| | | A | B | C _{in} | C _{out} | S |
| DELETE | ← | 0 | 0 | 0 | 0 | 0 |
| | ← | 0 | 0 | 1 | 0 | 1 |
| PROPAGATE | ← | 0 | 1 | 0 | 0 | 1 |
| | ← | 0 | 1 | 1 | 1 | 0 |
| | ← | 1 | 0 | 0 | 0 | 1 |
| GENERATE | ← | 1 | 0 | 1 | 1 | 0 |
| | ← | 1 | 1 | 0 | 1 | 0 |
| | ← | 1 | 1 | 1 | 1 | 1 |



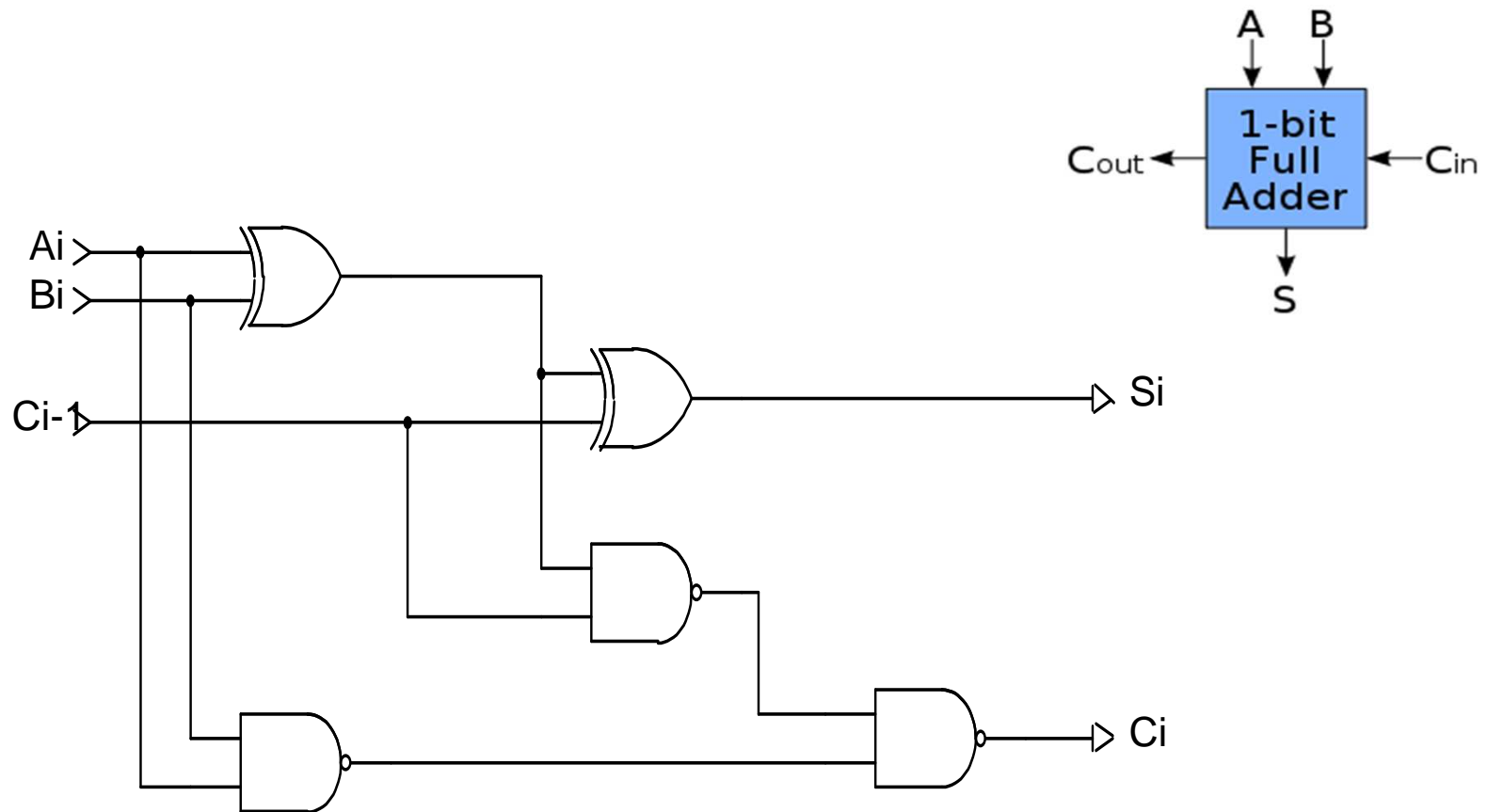
$$S = A \oplus B \oplus C_{in}$$

$$C_{out} = \overbrace{(A \cdot B)}^{\text{GENERATE}} + (C_{in} \cdot \overbrace{(A \oplus B)}^{\text{PROPAGATE}})$$





Sumador elemental binario





Sumador de 4 bits

