



Unit 4. Sequential Systems



Contents

- ◆ Basic Concepts
- ◆ Latches and flip-flops
- ◆ Registers
- ◆ Counters

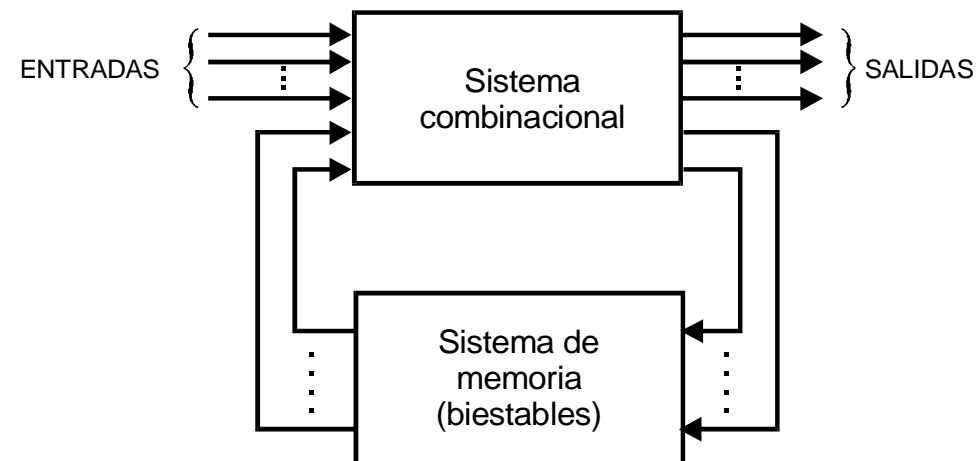
Bibliography

- Digital fundamentals.
Thomas Floyd. Prentice-Hall.
- Digital Design.
M. Morris Mano. Prentice-Hall
- Introduction to Digital Logic Design.
John P. Hayes. Addison-Wesley

Basic concepts

Sequential circuit. Circuit in which the outputs in a concrete instant are function of the inputs in that instant and the state of the circuit, i.e., they store information

- ◆ Therefore a sequential system is formed by two different blocks: a combinational system to process information and a memory system to store it.

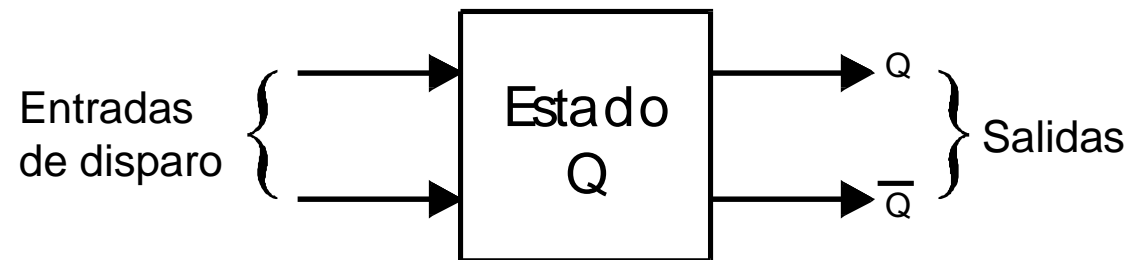


Generally, feedback circuits are present in sequential systems.



Latches and flip-flops (I)

- ◆ Information is stored in binary, and the basic memory elements are **latches** and **flip-flops** which store just one bit of information.
- ◆ They are elementary logical circuits that can remain in one of the two possible states ($Q=0$ or $Q=1$) and switch among them depending on the triggering inputs.
- ◆ There are many types, but the general scheme is:





Latches and flip-flops (II)

Classification:

Depending on **triggering method**:

R-S

J-K

D

T

Depending on **triggering synchronization**:

- **Synchronous.** Switching among states occurs in synchrony with a clock signal
- **Asynchronous.** Switching among states can occur in any moment; it just depends on the triggering inputs.

Depending on the form of the **triggering signal**:

- **Level-triggered.** Triggering and change of state occurs when a low or high level is detected in the inputs.
- **Edge-triggered (synchronous flip-flops):** Triggering and change of state occurs just when the clock changes from low to high (rising edge) or from high to low (falling edge).



Latches and flip-flops (III)

R-S NOR

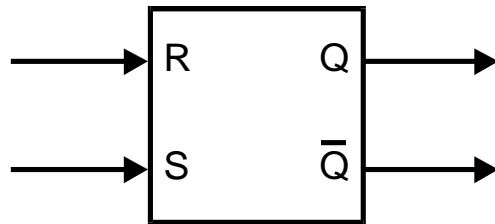
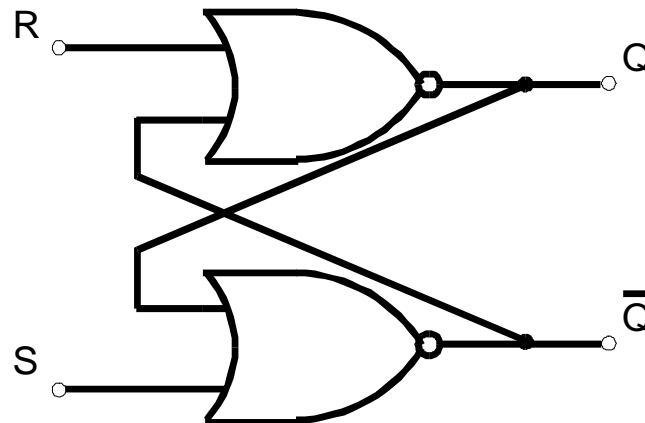


Tabla de excitación

R^t	S^t	Q^{t+1}
0	0	Q^t
0	1	1
1	0	0
1	1	I



$R=S=1$: Q is not determined.
Not valid input

Latches and flip-flops (IV)



RS-NAND

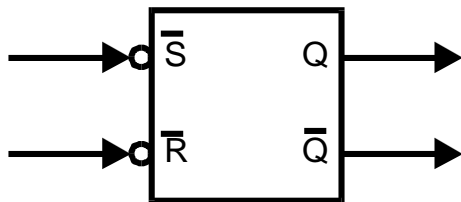
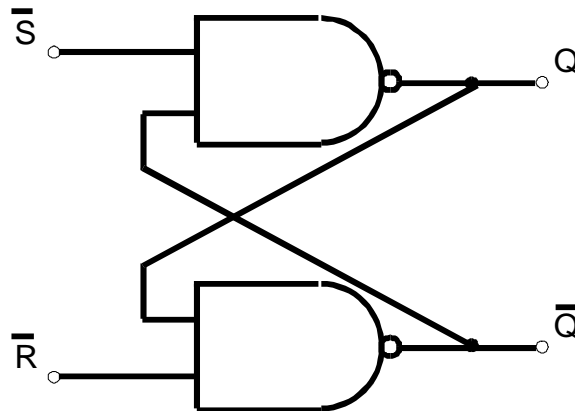


Tabla de excitación

R^t	S^t	Q^{t+1}
0	0	1
0	1	0
1	0	1
1	1	Q^t



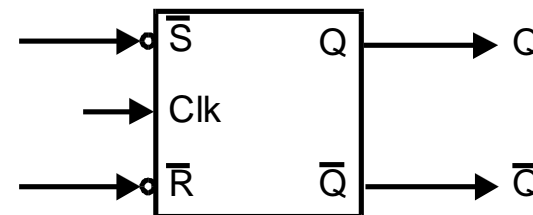
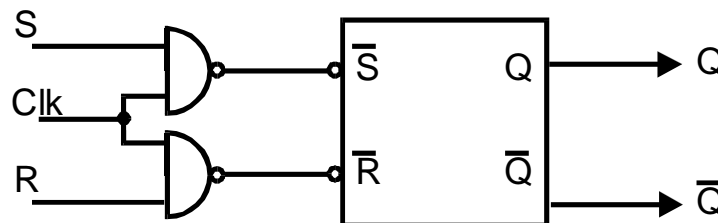
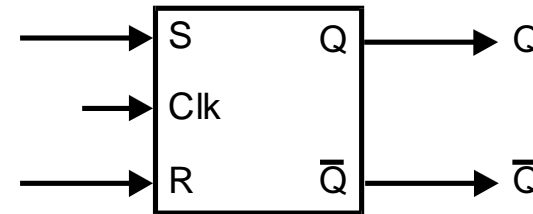
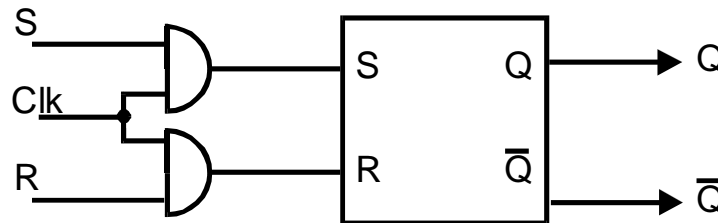
$R=S=0$: Q is not determined.
Not valid input



Latches and flip-flops (V)

R-S synchronous

- ◆ Level-triggered





Latches and flip-flops (VI)

R-S synchronous with asynchronous inputs CL and PR

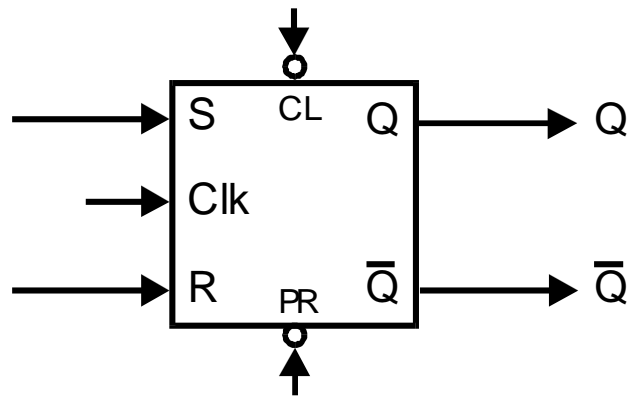


Tabla de excitación

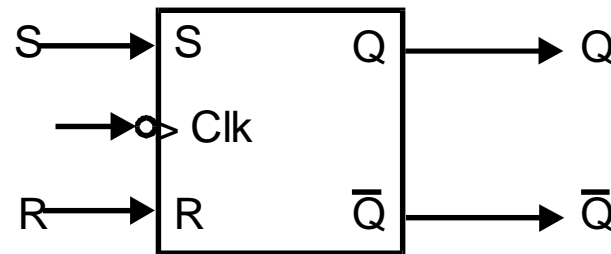
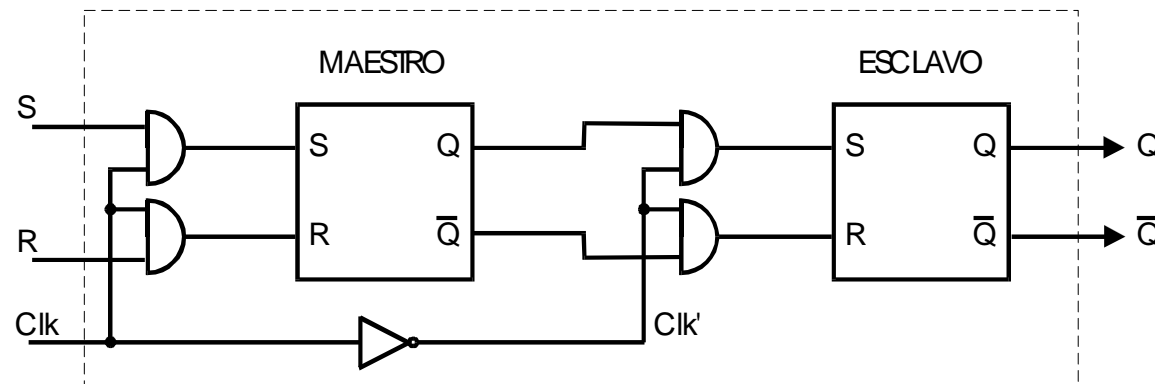
Pr	Cl	S	R	Clk	Q^{t+1}
0	1	X	X	X	1
1	0	X	X	X	0
0	0	X	X	X	X
1	1	0	0	⌋	Q^t
1	1	1	0	⌋	1
1	1	0	1	⌋	0
1	1	1	1	⌋	X

Latches and flip-flops (VII)

R-S Master-Slave

It solves timing problems that can give rise to wrong outputs by reducing the switching moment of the flip-flop to transitions of the clock (rising or falling edges)

- ◆ Example: falling edge 



Latches and flip-flops (VIII)

Asynchronous J-K Flip-flop

Like R-S, but removing undetermined situations using feedback

$J \sim S$ y $K \sim R$.

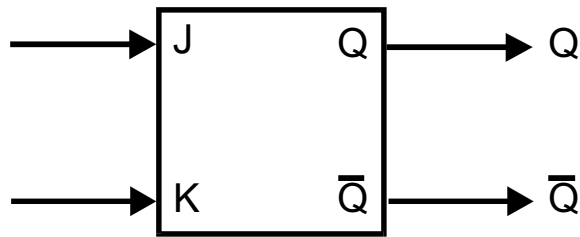
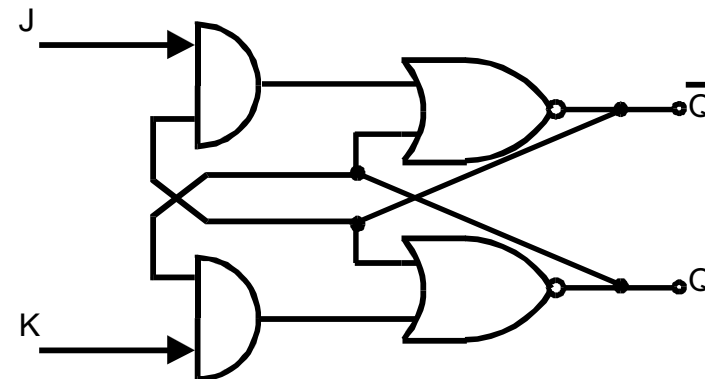
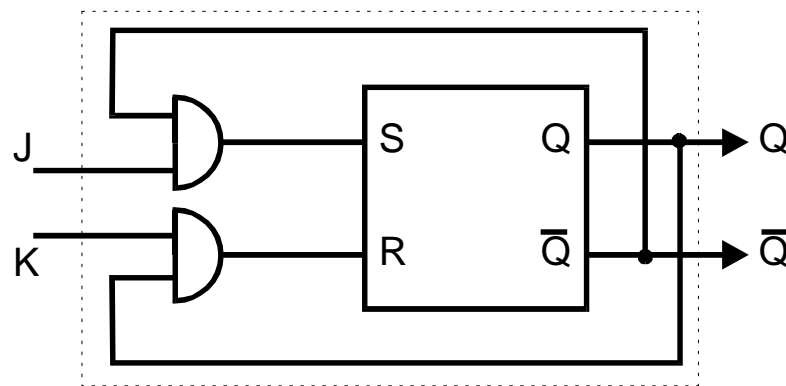


Tabla de excitación		
J^t	K^t	Q^{t+1}
0	0	Q^t
0	1	0
1	0	1
1	1	$\overline{Q^t}$

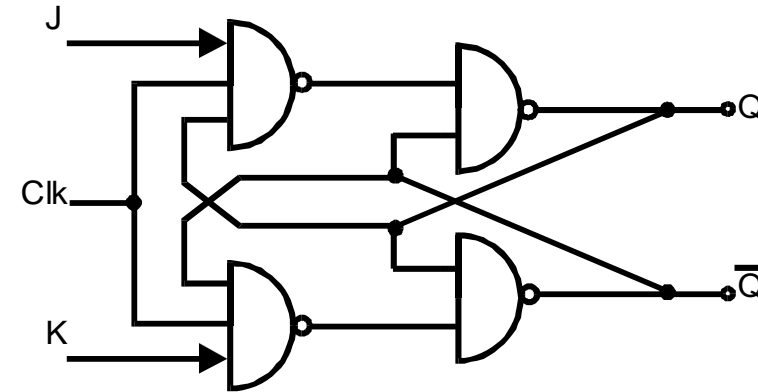
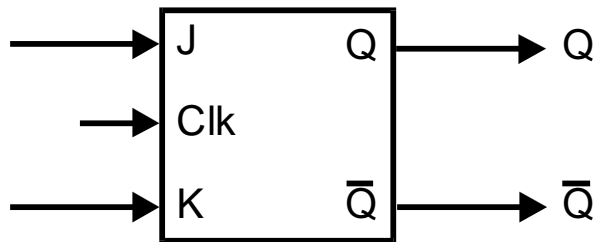




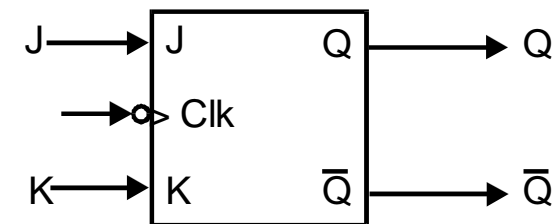
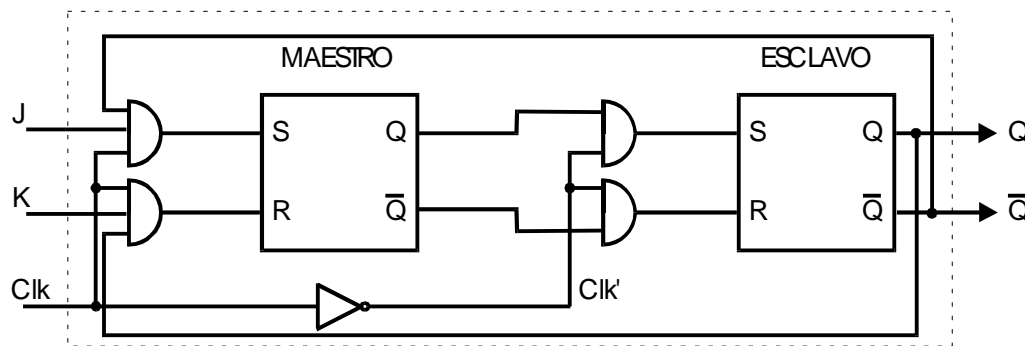
Latches and flip-flops (IX)

Synchronous J-K Flip-flop

- ◆ Level-triggered



- ◆ Edge-triggered





Latches and flip-flops (X)

T flip-flop

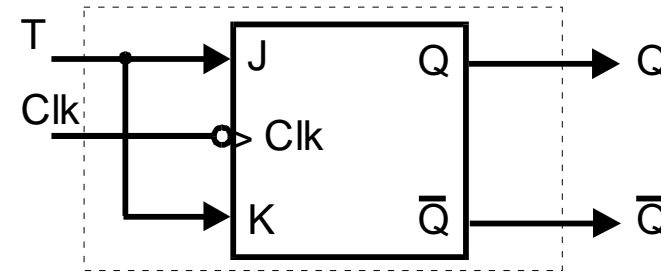
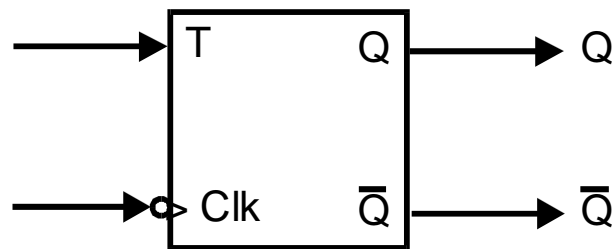
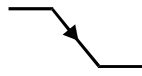
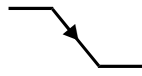


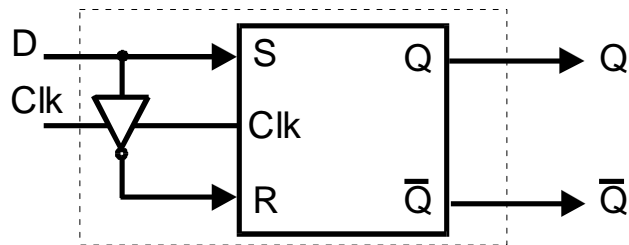
Tabla de excitación

T^t	Clk	Q^{t+1}
0		Q^t
1		$\overline{Q^t}$

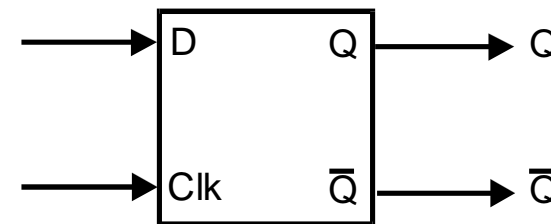


Latches and flip-flops (XI)

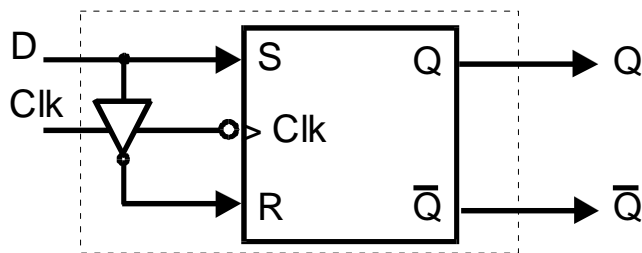
◆ D latch (level-triggered)

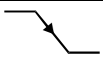


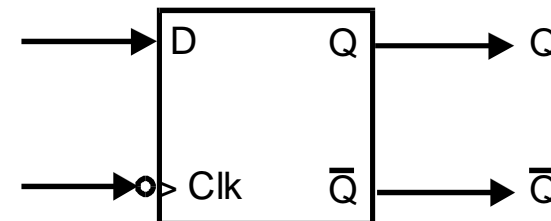
D^t	Clk	Q^{t+1}
X	0	Q^t
D	1	D



◆ D flip-flop (edge-triggered)



D^t	Clk	Q^{t+1}
D		D



Registers (I)



Register: Circuit that can store binary information, generally a *word* (n bits: 4, 8, 16, 32, 64...).

It is formed by flip-flops connected by different ways depending on the type:

Basic types:

- Storing registers
- Shift registers
- Counters

Registers (II)

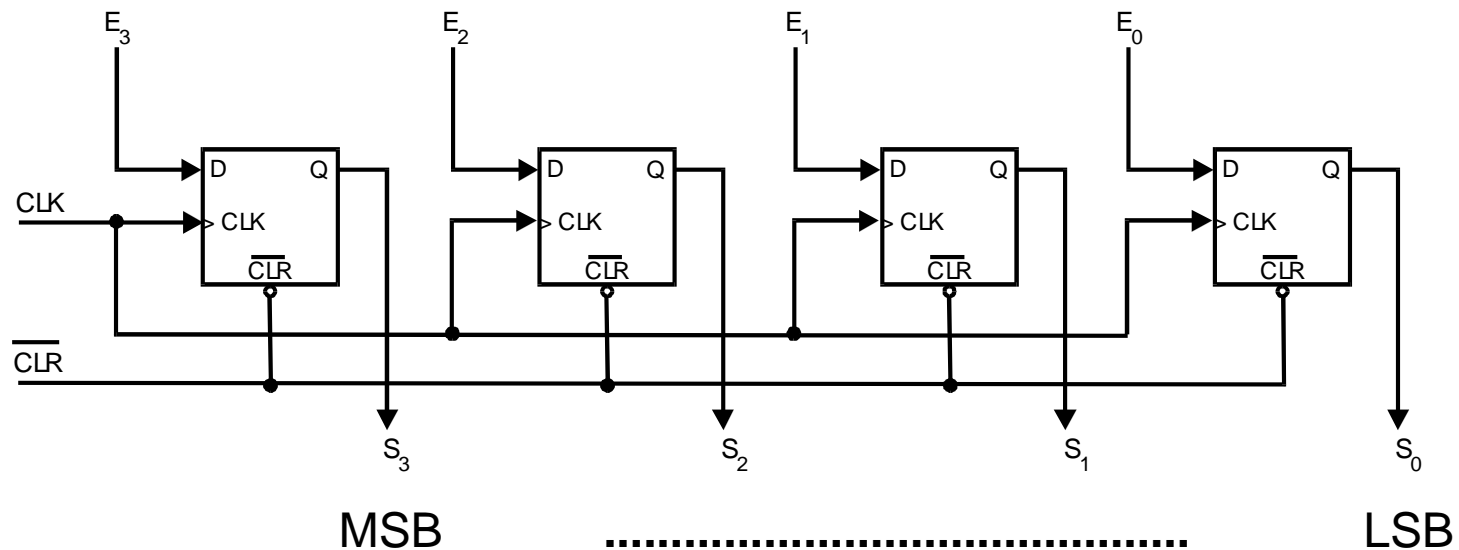


Storing Register: it works like a small memory; just stores bits.
Operations: read and write

Depending on the triggering:

Latches

Flip-flops



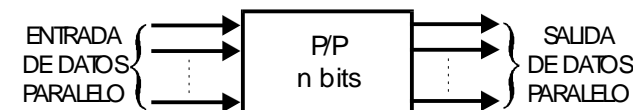
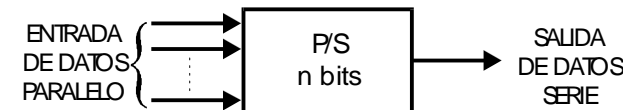
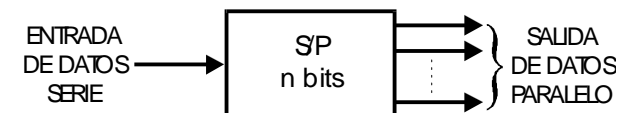
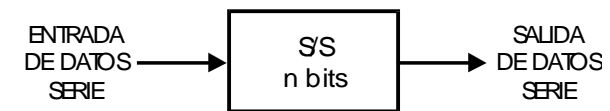
Registers (III)



Shift register. Besides storing information, it can shift it by moving bits between connected flip-flops or latches

Types (depending on input-output)

- Serial Input - Serial Output
- Serial Input - Parallel output
- Parallel Input - Serial Output
- Parallel Input - Parallel output



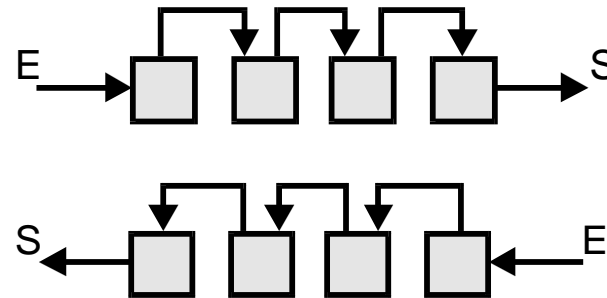
Registers (IV)



Types (depending on shifting):

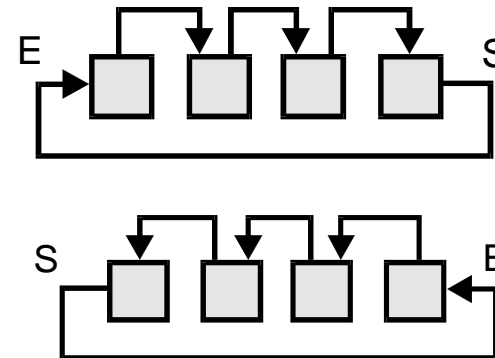
- **Open**

- Right shift
- Left shift



- **Ring**

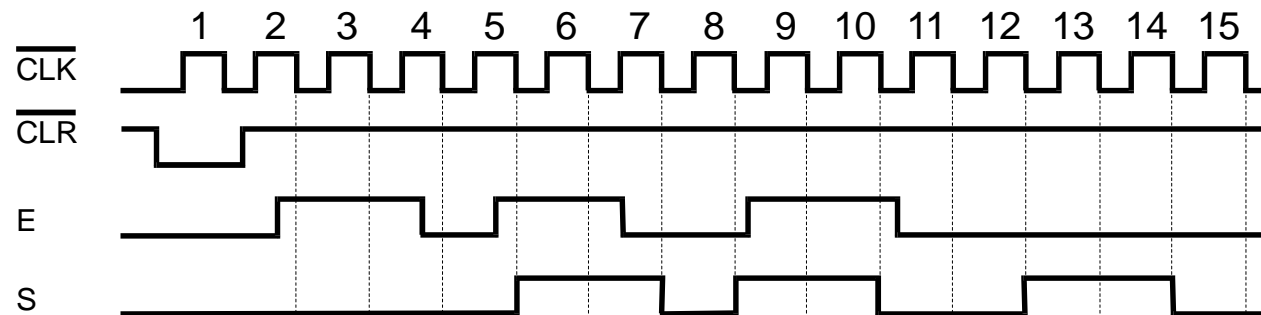
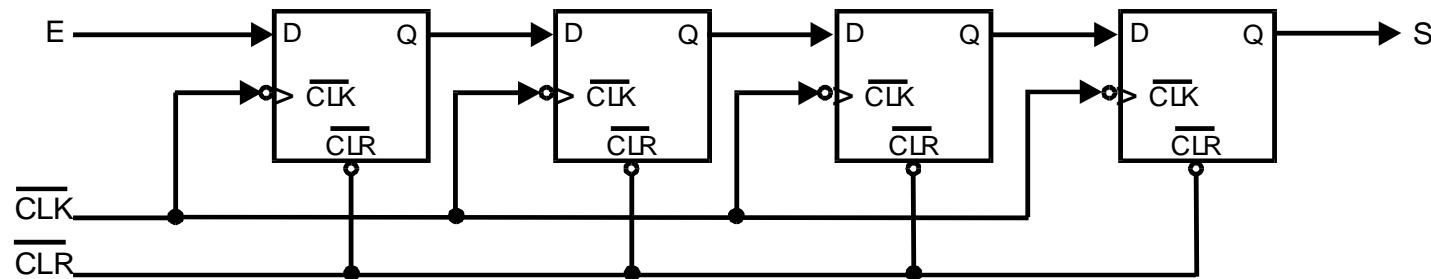
- Right shift
- Left shift



Registers (V)



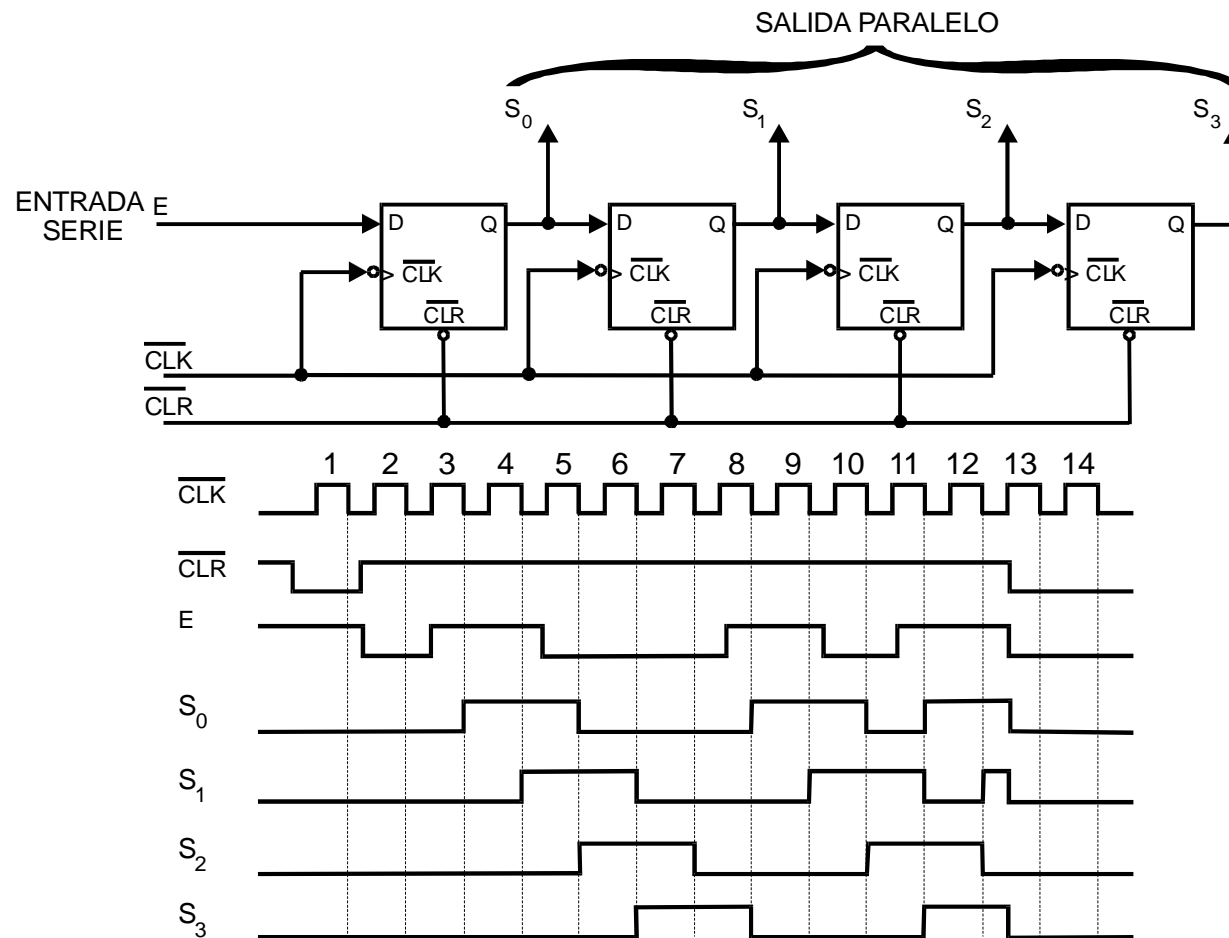
Shift register with serial input – serial output



Registers (VI)



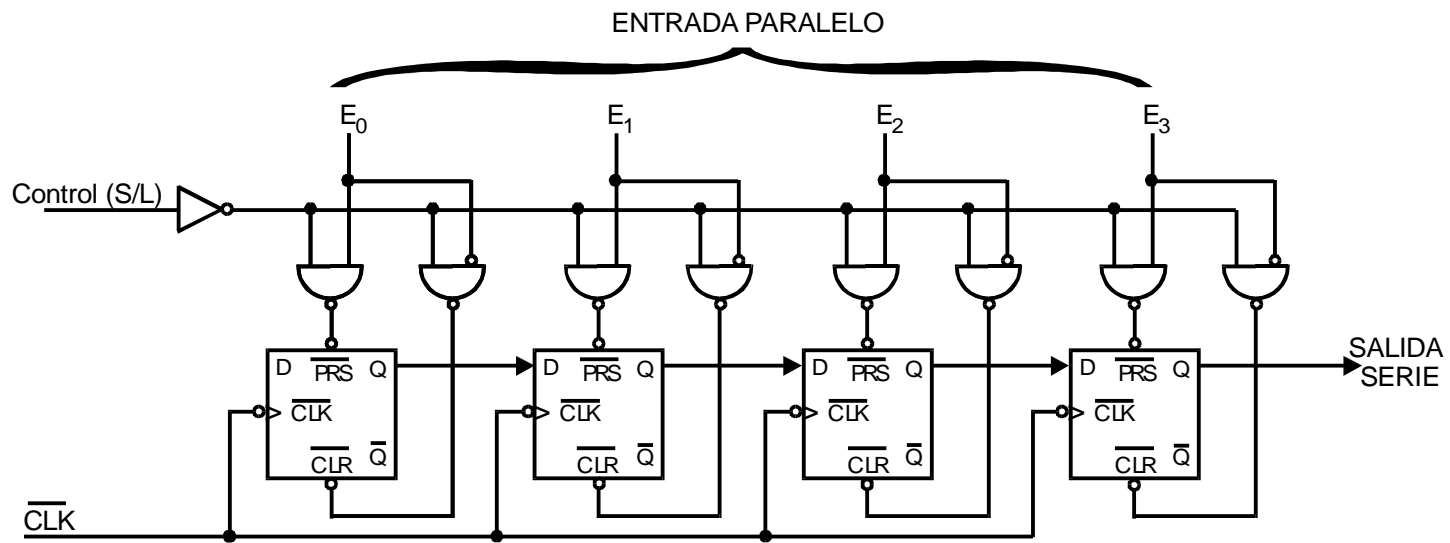
Shift register with serial input – parallel output



Registers (VII)



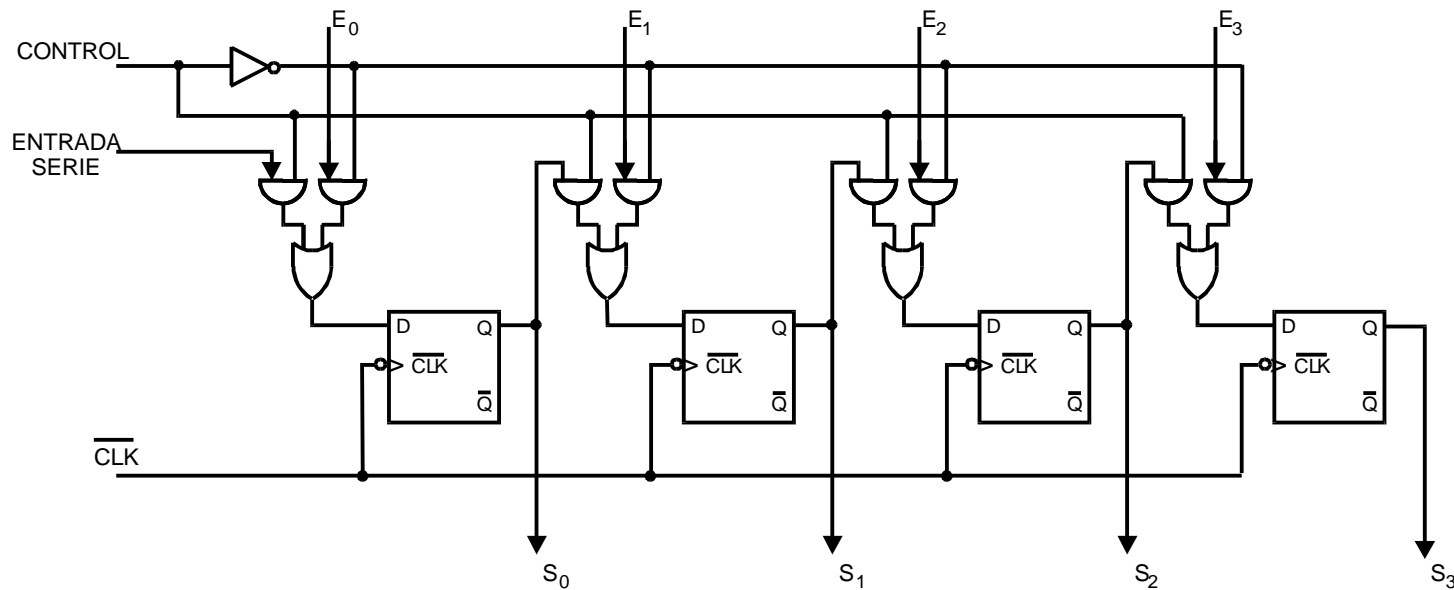
Shift register with parallel input – serial output



Registers (VIII)



Shift register with parallel input - parallel output

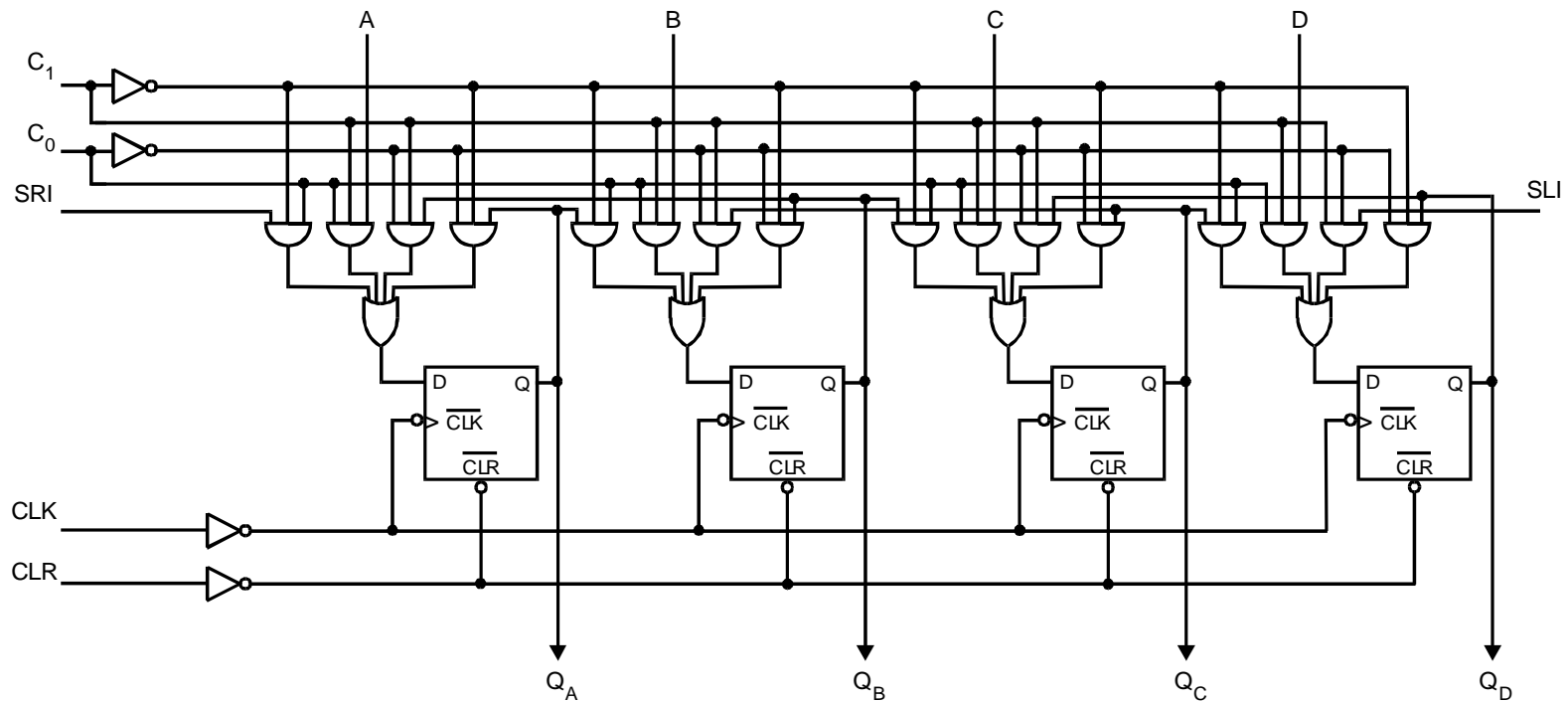




Registers (IX)

Universal shift register

C ₁	C ₀	Operation
0	0	Keeps the state. No op
0	1	Right shift
1	0	Left shift
1	1	Load



Counters (I)



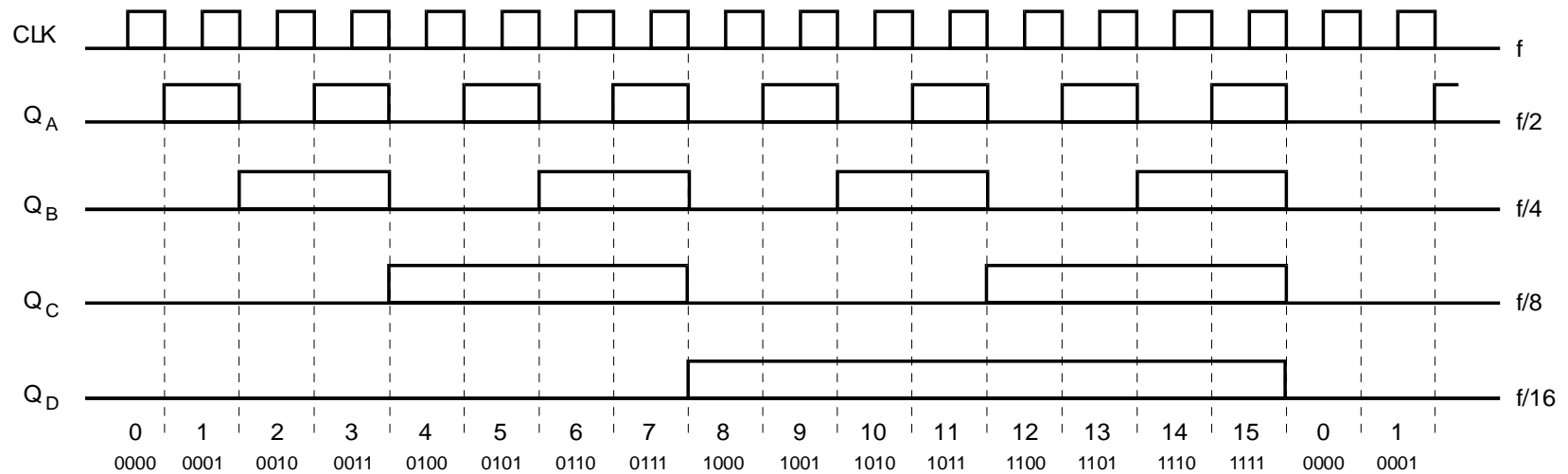
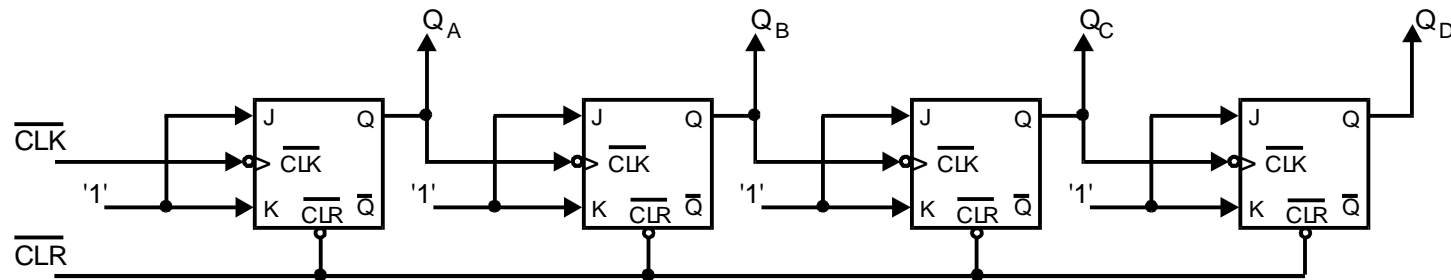
- ◆ Circuit that “counts” and “remembers” the number of pulses it receives from an external signal or clock
- ◆ It is formed by a chain of flip-flops whose n outputs represent the count in binary

- ◆ Classifications:
 - Synchronism:
 - Asynchronous / synchronous
 - Counting way:
 - Up / Down
 - Maximum count:
 - Binary / N-modulus

Counters (II)



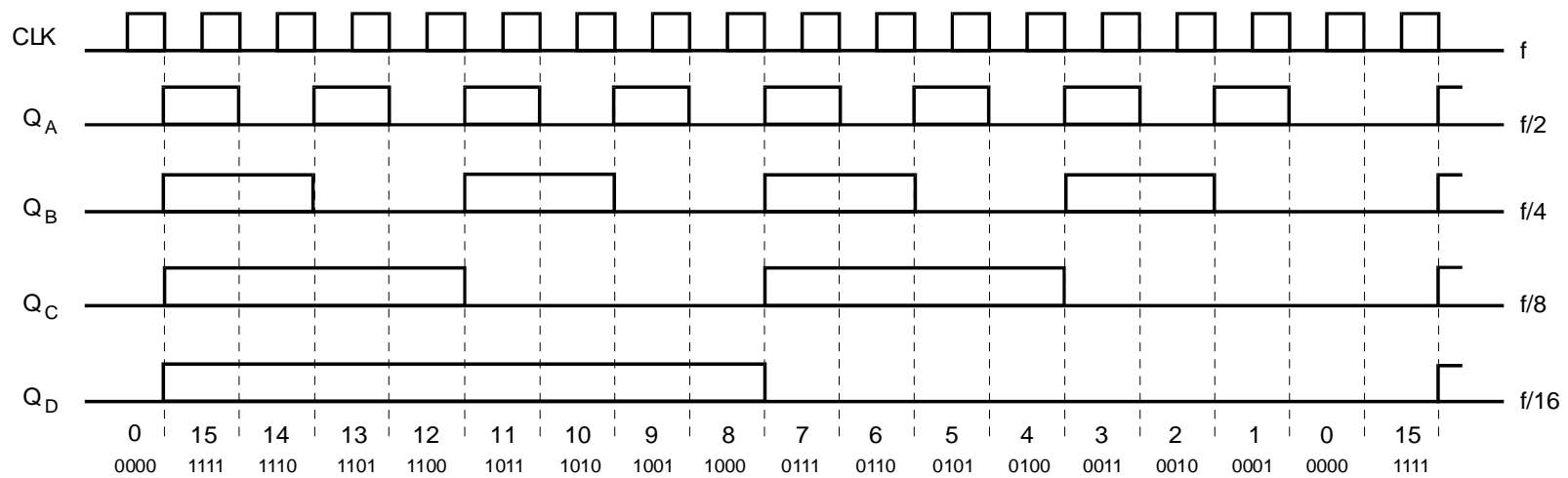
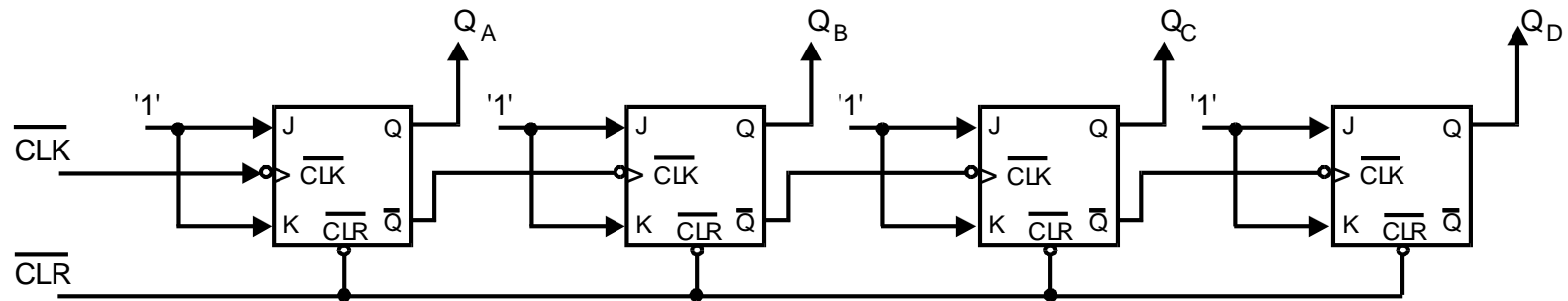
Asynchronous up binary counter



Counters (III)



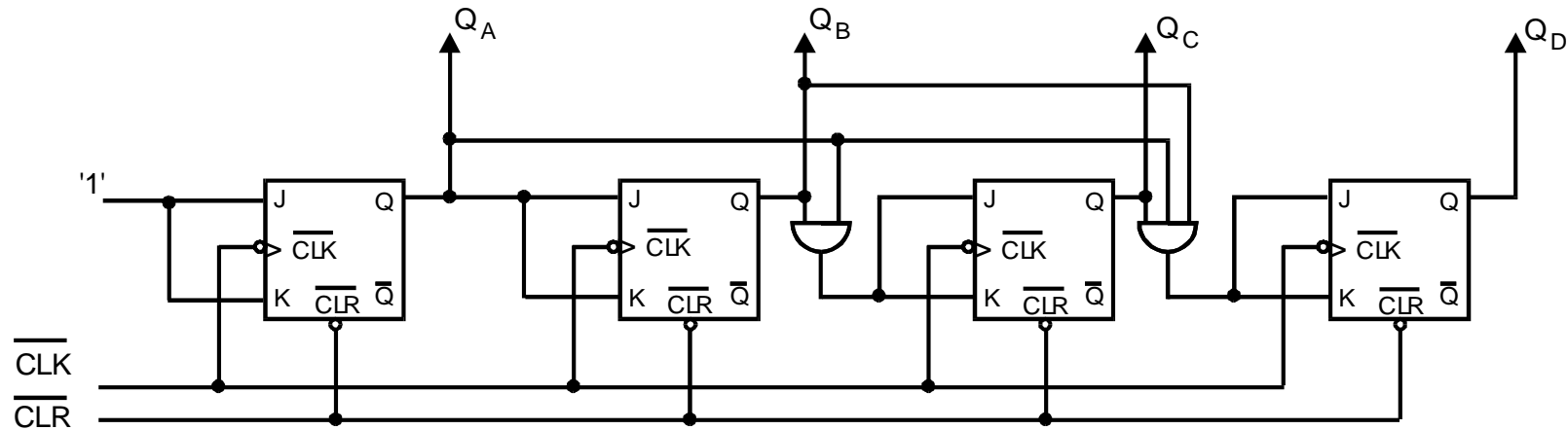
Asynchronous down binary counter



Counters (IV)



Synchronous up binary counter





Counters (V)

10-modulus counter N (Up, Asynchronous)

Q _D	Q _C	Q _B	Q _A
0	0	0	0
0	0	0	1
0	0	1	0
0	0	1	1
0	1	0	0
0	1	0	1
0	1	1	0
0	1	1	1
1	0	0	0
1	0	0	1
1	0	1	0
1	0	1	1
1	1	0	0
1	1	0	1
1	1	1	0
1	1	1	1

Puesta a cero del contador

Detección del 10

